

- NOTES:**
- THIS DRAWING SHALL BE READ IN CONJUNCTION WITH ALL METIS CONSULTANTS DRAWINGS AND ALL OTHER RELEVANT ARCHITECTS, ENGINEERS AND LANDSCAPE ARCHITECTS DRAWINGS AND SPECIFICATIONS.
 - ALL DIMENSIONS AND LEVELS SHOWN ARE IN METERS UNLESS OTHERWISE STATED.

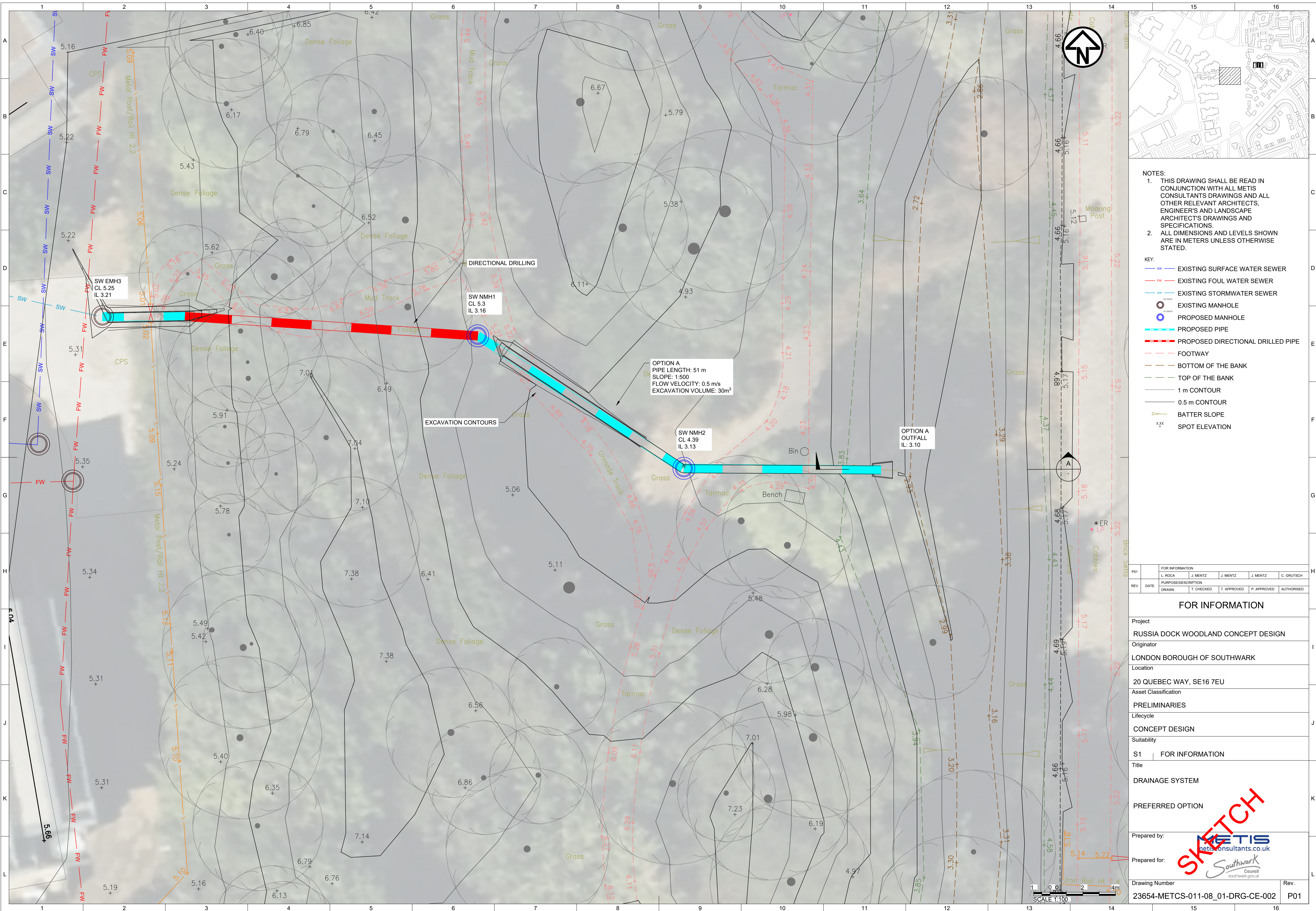
- KEY:**
- SW - EXISTING SURFACE WATER SEWER
 - FW - EXISTING FOUL WATER SEWER
 - SW - EXISTING STORMWATER SEWER
 - - EXISTING MANHOLE
 - - PROPOSED MANHOLE
 - - PROPOSED PIPE
 - - PROPOSED DIRECTIONAL DRILLED PIPE
 - - - - FOOTWAY
 - - - - BOTTOM OF THE BANK
 - - - - TOP OF THE BANK
 - - - - 1 m CONTOUR
 - - - - 0.5 m CONTOUR
 - ▲ - BATTER SLOPE
 - x.xx - SPOT ELEVATION

FOR INFORMATION						
REV	DATE	DRAWN	T. CHECKED	T. APPROVED	P. APPROVED	AUTHORISED
P01	DEC 2023	L. ROCA	J. MENTZ	J. MENTZ	J. MENTZ	C. GRUTSCH

FOR INFORMATION

Project	RUSSIA DOCK WOODLAND CONCEPT DESIGN
Originator	LONDON BOROUGH OF SOUTHWARK
Location	20 QUEBEC WAY, SE16 7EU
Asset Classification	PRELIMINARIES
Lifecycle	CONCEPT DESIGN
Suitability	S1 FOR INFORMATION
Title	DRAINAGE SYSTEM INITIAL OPTIONS
Prepared by:	METIS consultants.co.uk
Prepared for:	Southwark Council southwark.gov.uk
Drawing Number	23654-METCS-011-08_ZZ-DRG-CE-001
Rev.	P01





- NOTES:**
- THIS DRAWING SHALL BE READ IN CONJUNCTION WITH ALL METIS CONSULTANTS DRAWINGS AND ALL OTHER RELEVANT ARCHITECTS, ENGINEER'S AND LANDSCAPE ARCHITECT'S DRAWINGS AND SPECIFICATIONS.
 - ALL DIMENSIONS AND LEVELS SHOWN ARE IN METERS UNLESS OTHERWISE STATED.

- KEY:**
- SW — EXISTING SURFACE WATER SEWER
 - FW — EXISTING FOUL WATER SEWER
 - SW — EXISTING STORMWATER SEWER
 - EXISTING MANHOLE
 - PROPOSED MANHOLE
 - PROPOSED PIPE
 - PROPOSED DIRECTIONAL DRILLED PIPE
 - FOOTWAY
 - BOTTOM OF THE BANK
 - TOP OF THE BANK
 - 1 m CONTOUR
 - 0.5 m CONTOUR
 - △ BATTER SLOPE
 - x.xx SPOT ELEVATION

OPTION A
 PIPE LENGTH: 51 m
 SLOPE: 1:500
 FLOW VELOCITY: 0.5 m/s
 EXCAVATION VOLUME: 30m³

DIRECTIONAL DRILLING

EXCAVATION CONTOURS

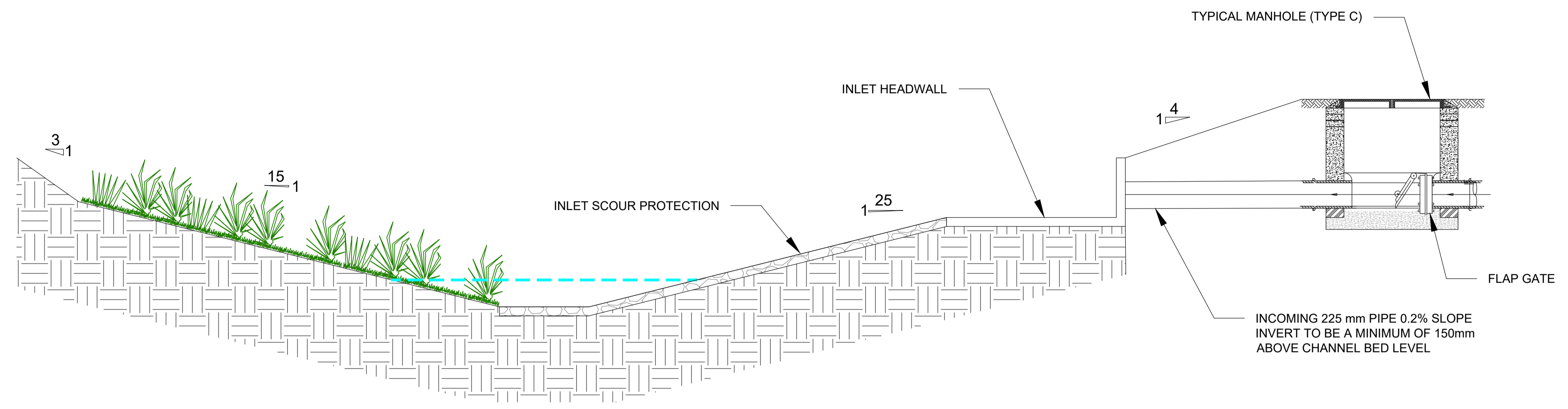
OPTION A
 OUTFALL
 IL: 3.10

FOR INFORMATION					
L. ROCA	J. MENTZ	J. MENTZ	J. MENTZ	C. GRUTSCH	
PURPOSE/DESCRIPTION					
DATE	T. CHECKED	T. APPROVED	P. APPROVED	AUTHORISED	

FOR INFORMATION	
Project	RUSSIA DOCK WOODLAND CONCEPT DESIGN
Originator	LONDON BOROUGH OF SOUTHWARK
Location	20 QUEBEC WAY, SE16 7EU
Asset Classification	PRELIMINARIES
Lifecycle	CONCEPT DESIGN
Suitability	S1 FOR INFORMATION
Title	DRAINAGE SYSTEM
	PREFERRED OPTION
Prepared by:	METIS metisconsultants.co.uk
Prepared for:	Southwark Council southwark.gov.uk
Drawing Number	23654-METCS-011-08_01-DRG-CE-002
Rev.	P01

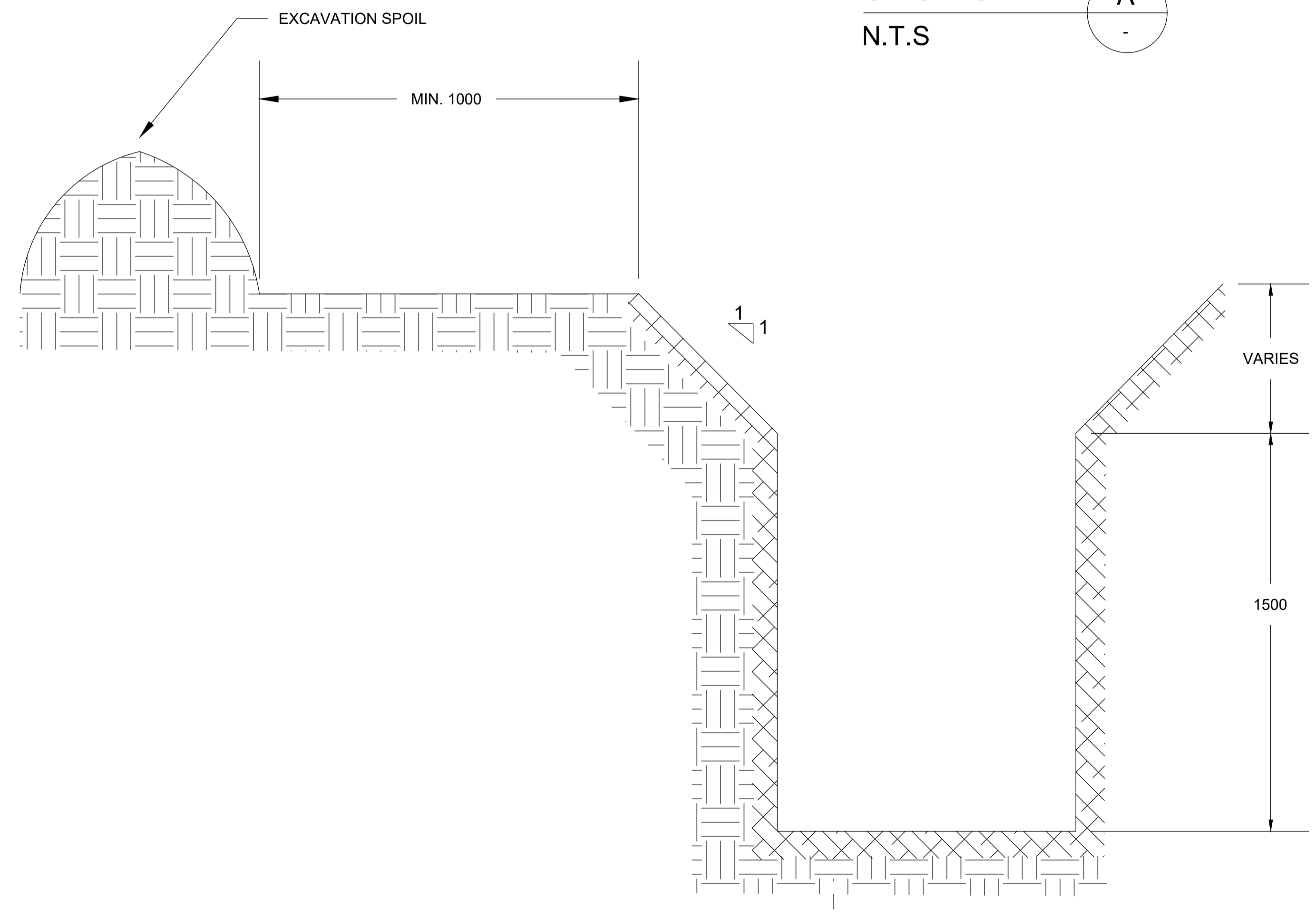
SKETCH

SCALE 1:100

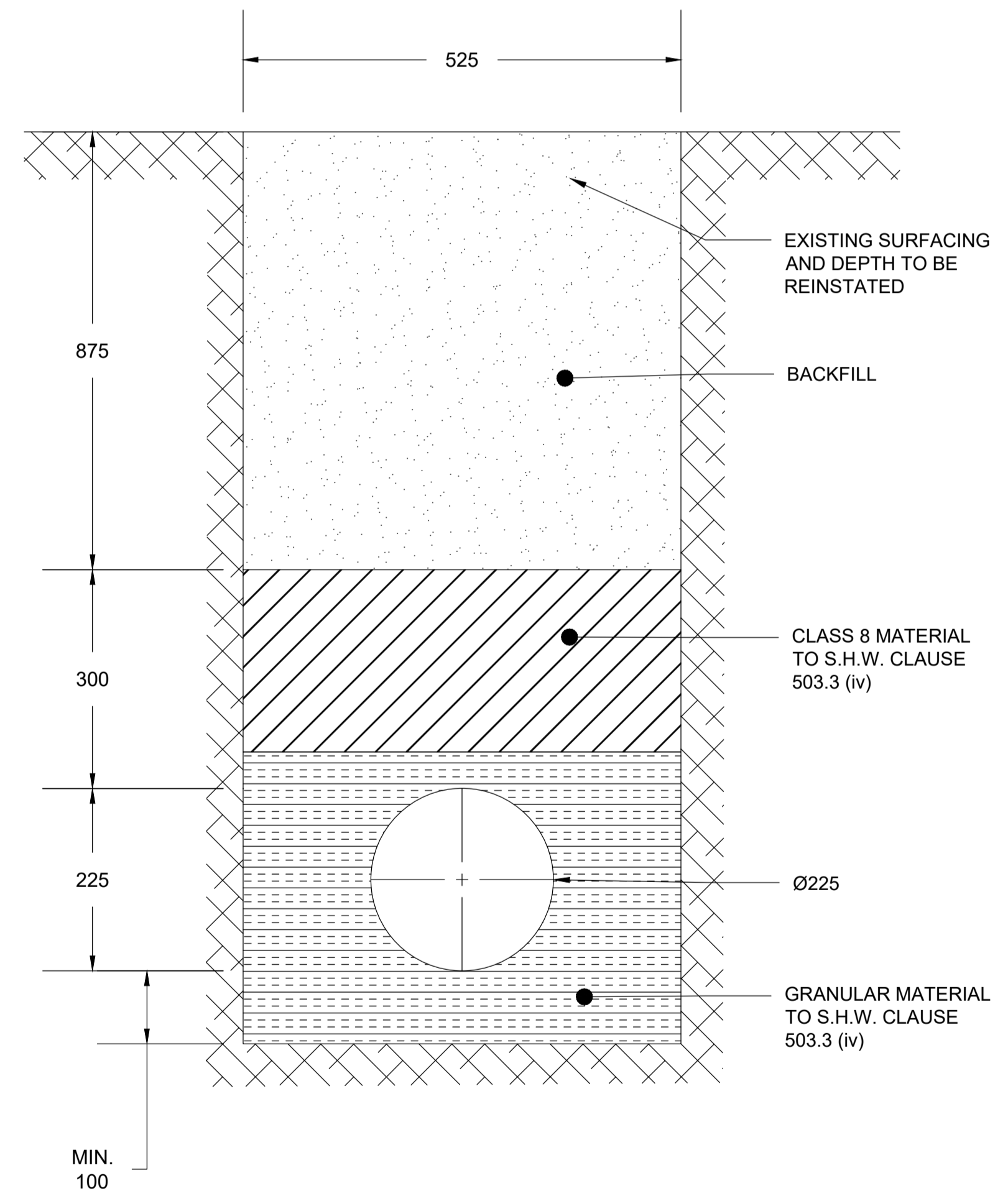


NOTES:
 1. THIS DRAWING SHALL BE READ IN CONJUNCTION WITH ALL METIS CONSULTANTS DRAWINGS AND ALL OTHER RELEVANT ARCHITECTS, ENGINEER'S AND LANDSCAPE ARCHITECT'S DRAWINGS AND SPECIFICATIONS.
 2. ALL DIMENSIONS AND LEVELS SHOWN ARE IN METERS UNLESS OTHERWISE STATED.

SECTION A
 N.T.S.



TYPICAL TRENCH SECTION



TYPE T BEDDING

P01	FOR INFORMATION					
REV	DATE	PURPOSE/DESCRIPTION	T. CHECKED	T. APPROVED	P. APPROVED	AUTHORISED

FOR INFORMATION

Project
 RUSSIA DOCK WOODLAND CONCEPT DESIGN

Originator
 LONDON BOROUGH OF SOUTHWARK

Location
 20 QUEBEC WAY

Asset Classification
 PRELIMINARIES

Lifecycle
 PHASE 1 - CONCEPT DESIGN

Suitability
 S1 FOR INFORMATION

Title
 DRAINAGE DETAILS
 CROSS SECTIONS

Prepared by:
 Prepared for:
 Drawing Number
 23654-METCS-011-08_01-DRG-CE-003

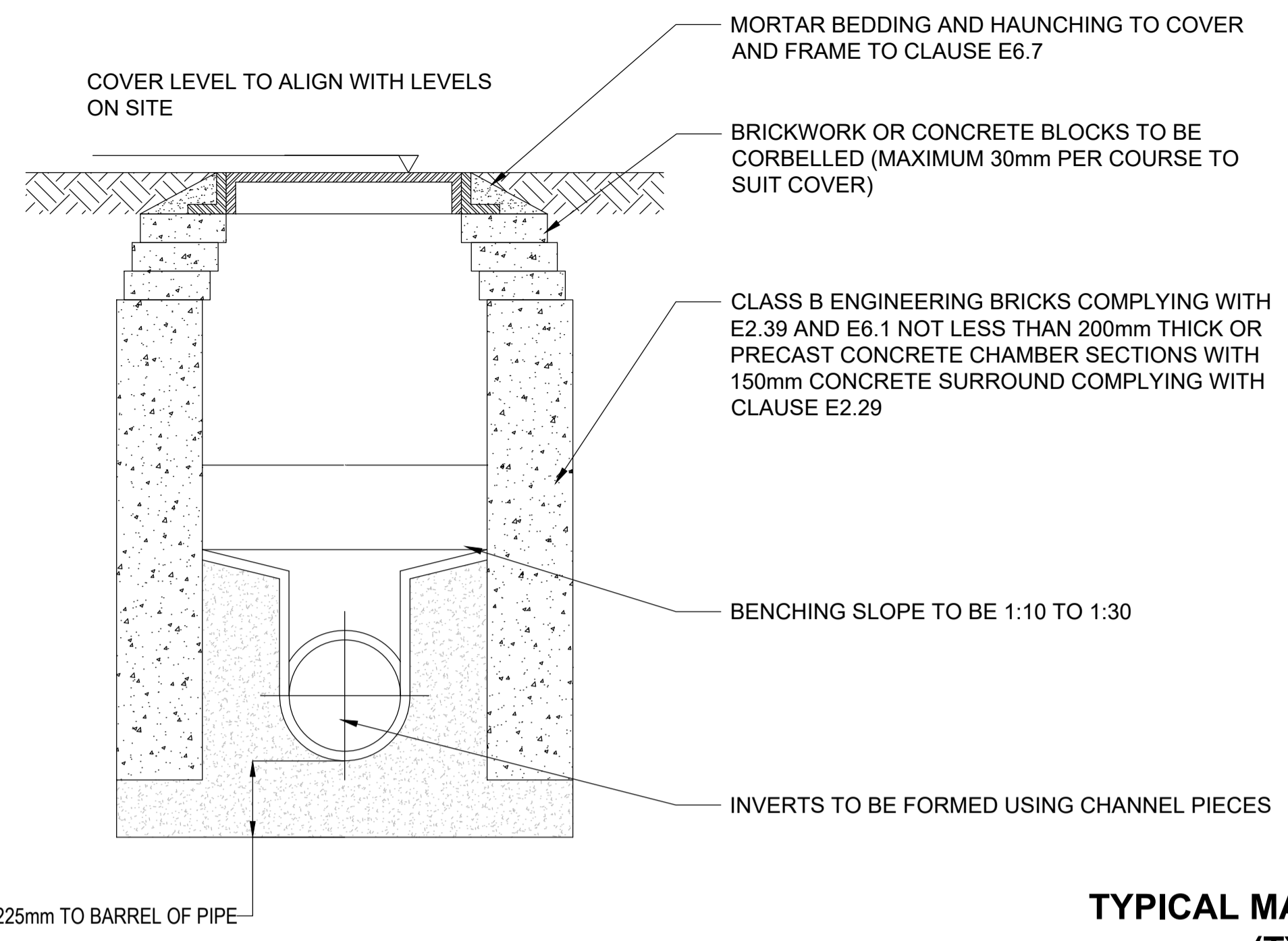
Rev.
 P01

PIPE DIAMETER D (mm)	150	225	300	375
TRENCH WIDTH W (mm)	450	525	600	675
PIPE DIAMETER D (mm)	450	525	600	675
TRENCH WIDTH W (mm)	750	825	900	975

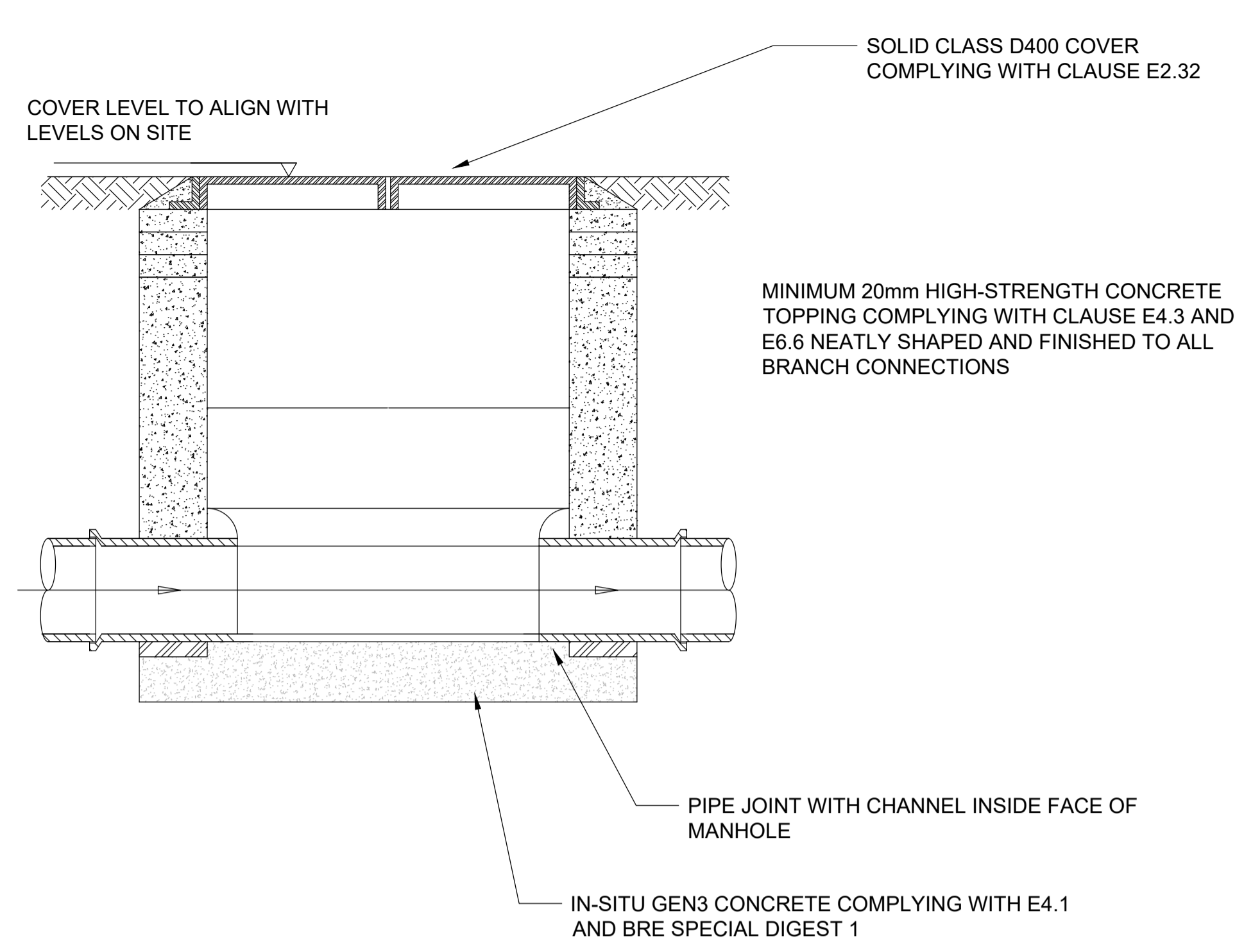
SKETCH

METIS
 metisconsultants.co.uk

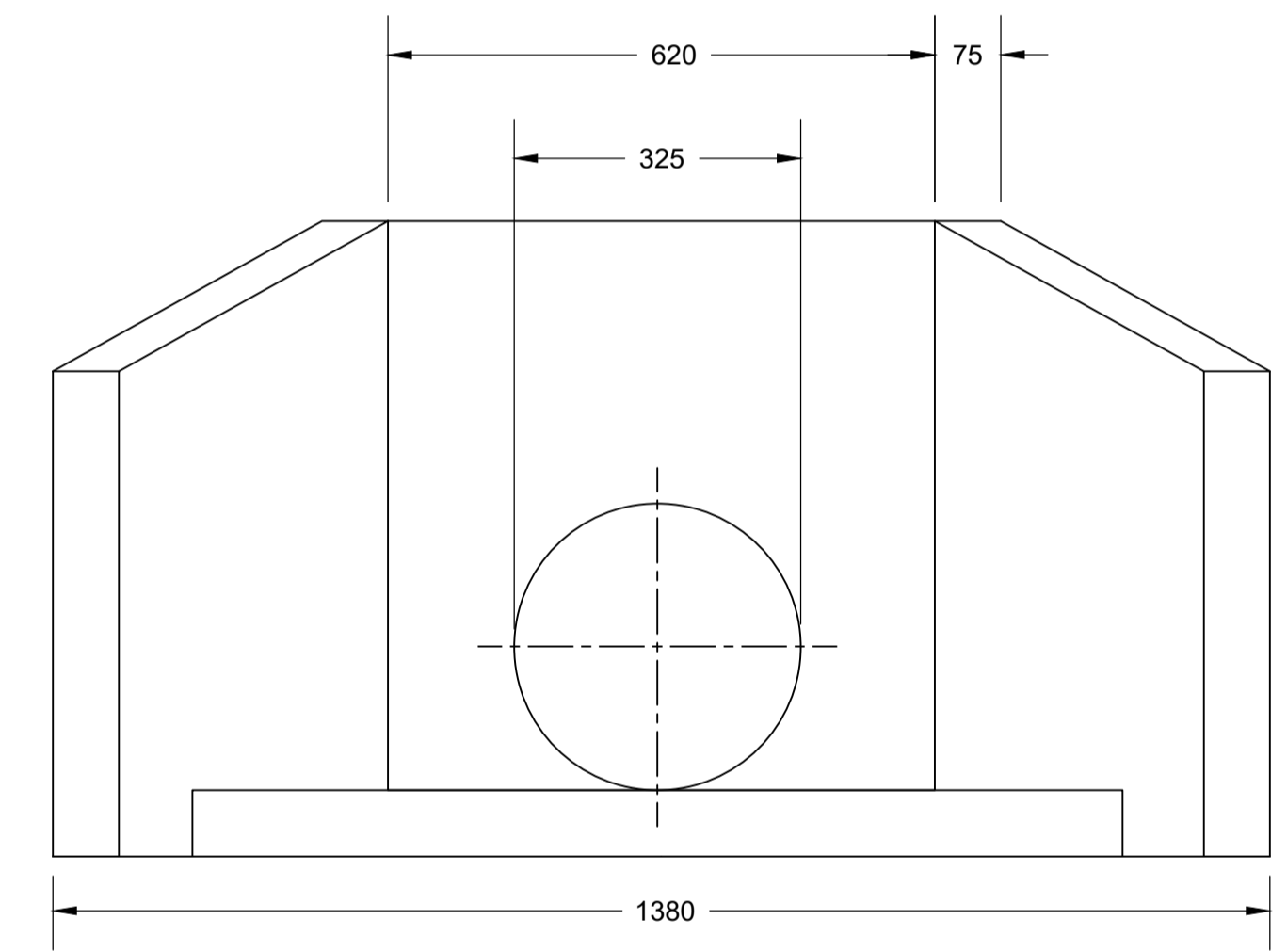
Southwark
 Council
 southwark.gov.uk



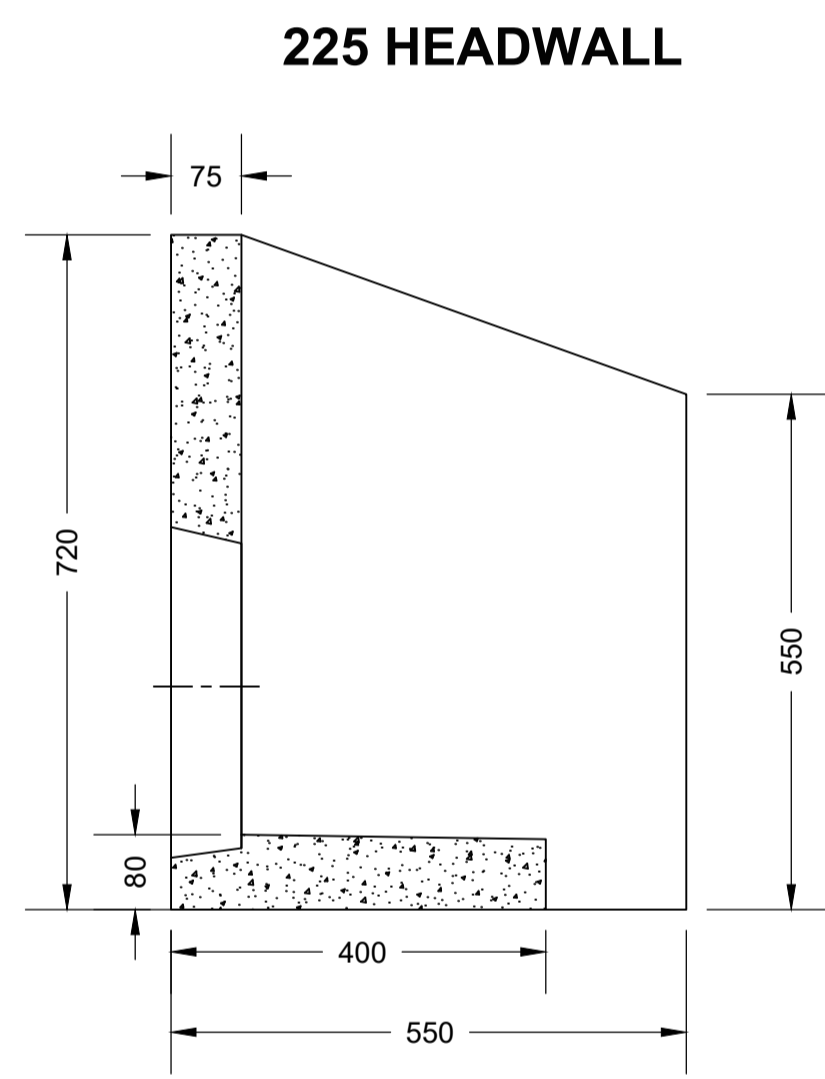
TYPICAL MANHOLE DETAIL (TYPE C)



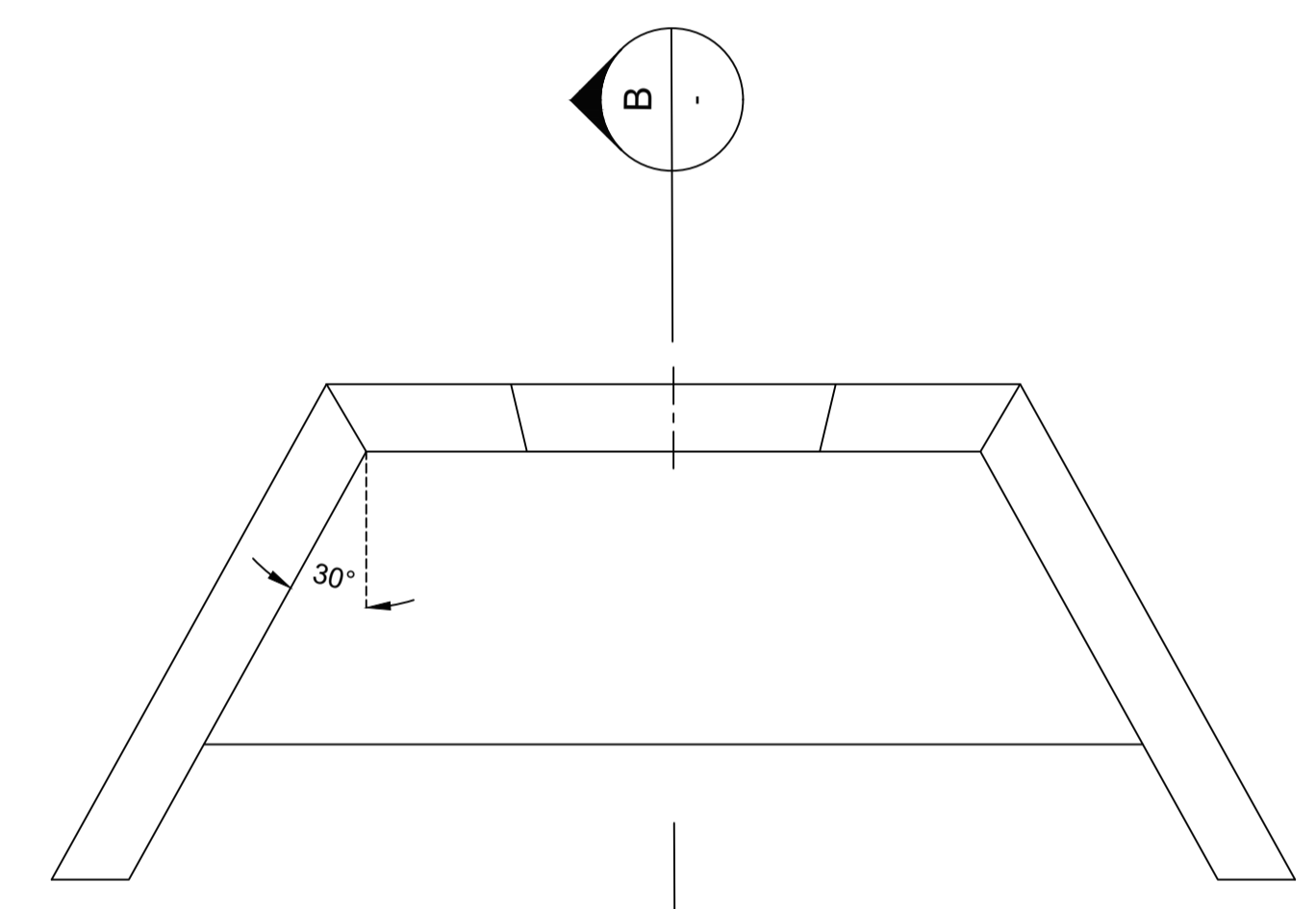
MINIMUM 20mm HIGH-STRENGTH CONCRETE TOPPING COMPLYING WITH CLAUSE E4.3 AND E6.6 NEATLY SHAPED AND FINISHED TO ALL BRANCH CONNECTIONS



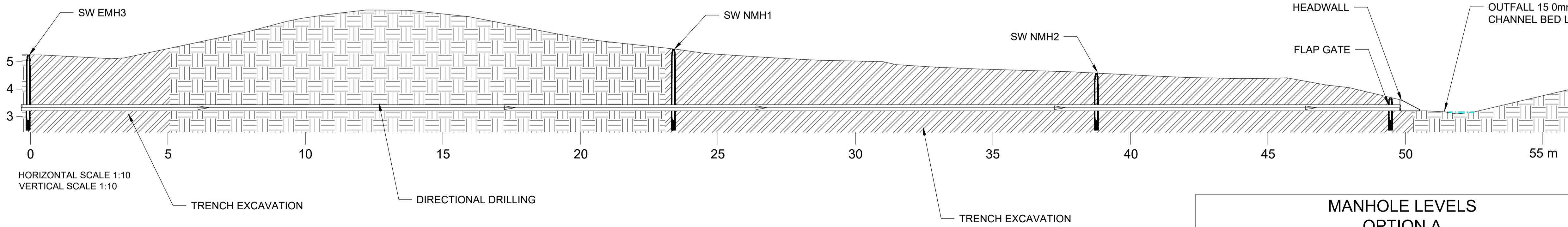
FRONT VIEW



SECTION B N.T.S.



PLAN VIEW



OPTION A LONG-SECTION

MANHOLE LEVELS OPTION A			
MANHOLE	COVER LEVEL	INVERT LEVEL	DEPTH
SW EMH3	5.250	3.210	2.040
SW NMH1	5.300	3.160	2.140
SW NMH2	4.390	3.130	1.260
NON-RETURN VALVE	3.890	3.100	0.790

- NOTES:**
- THIS DRAWING SHALL BE READ IN CONJUNCTION WITH ALL METIS CONSULTANTS DRAWINGS AND ALL OTHER RELEVANT ARCHITECTS, ENGINEER'S AND LANDSCAPE ARCHITECT'S DRAWINGS AND SPECIFICATIONS.
 - ALL DIMENSIONS AND LEVELS SHOWN ARE IN METERS UNLESS OTHERWISE STATED.

REV	DATE	PURPOSE/DESCRIPTION	T. CHECKED	T. APPROVED	P. APPROVED	AUTHORISED
P01		FOR INFORMATION	L. ROCA	J. MENTZ	J. MENTZ	C. GRUTSCH

FOR INFORMATION	
Project	RUSSIA DOCK WOODLAND CONCEPT DESIGN
Originator	LONDON BOROUGH OF SOUTHWARK
Location	20 QUEBEC WAY
Asset Classification	CE
Lifecycle	PHASE 1 - CONCEPT DESIGN
Suitability	S1 FOR STAGE APPROVAL

Title	
DRAINAGE DETAILS LONG SECTION	
Prepared by:	METIS netisconsultants.co.uk
Prepared for:	Southwark Council southwark.gov.uk
Drawing Number	23654-METCS-011-08_01-DRG-CE-004
Rev.	P01

SKETCH